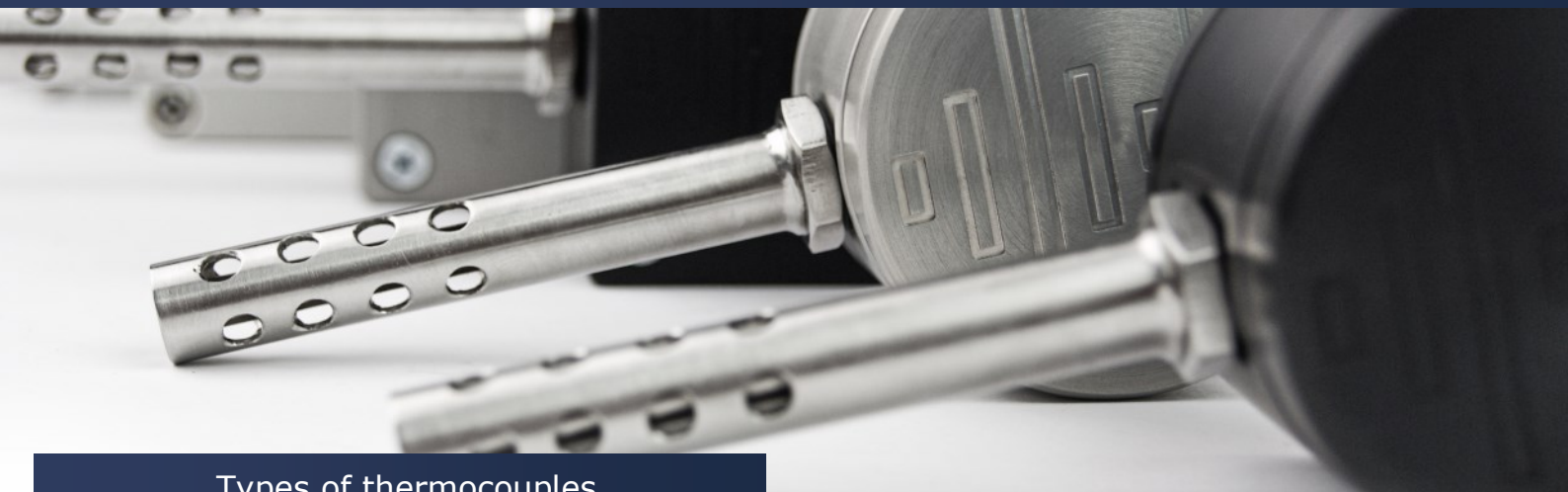


Contents

Technical Information	03
TA01 - Miniature plastic housing	04
TA02 - Standard plastic housing	05
TA11 - Round aluminum housing	06
TA12 - Square aluminum housing	07
TT25 - Open air (protection tube)	08
TH22 - Open air (terminal head)	09
TH23 - Open air with fixed thread	10
TH24 - Open air with reduced tip	11



Types of thermocouples

Thermocouples are adapted to specific applications depending on the temperature range to be measured, the accuracy required and the environment in which they will be used. They are differentiated by letters (Type K, J, N, T, etc....) which correspond to the presence of materials that can measure a certain temperature range.

Type K NiCr-NiAl (NiCr-Ni)

Type J Fe-CuNi

Type N NiCrSi-NiSi

Type T Cu-CuNi

The most commonly used is the type K which is capable of measuring temperatures from - 40°C to + 1200°C. It is made from a chrome and an aluminum wire.

Thermocouple classes

Classes of thermocouples have certain tolerance values and temperature limits of validity. The most common classes are **class 1** and **class 2**.

With **class 1** you get more precise measurement values while **class 2** provides a wider tolerance values.

What are the characteristics of ambient thermocouples ?

Our ambient thermocouples are designed for ambient temperature measurement inside and outside residential, office and industrial spaces.

There is a possibility of assembling a programmable temperature transmitter with a 4...20 mA output signal into the housing. The protection tube with perforation allows for quick and precise temperature measurement, thanks to direct contact of thermocouple junction with ambient temperature.

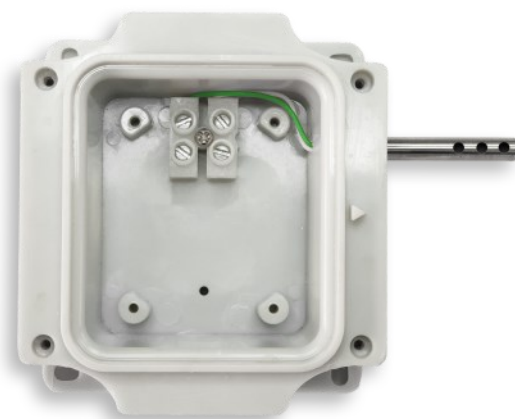
Application areas:

- Ambient temperature measurement in rooms and outside
- Warehouses and cold stores
- Offices
- Air-conditioning and ventilation installations

Inside housing

We have four types of housing for ambient sensors. Made of plastic or aluminum and in many different sizes. Inside the ambient temperature sensor can be a programmable temperature transmitter or serial terminals.

Serial terminals

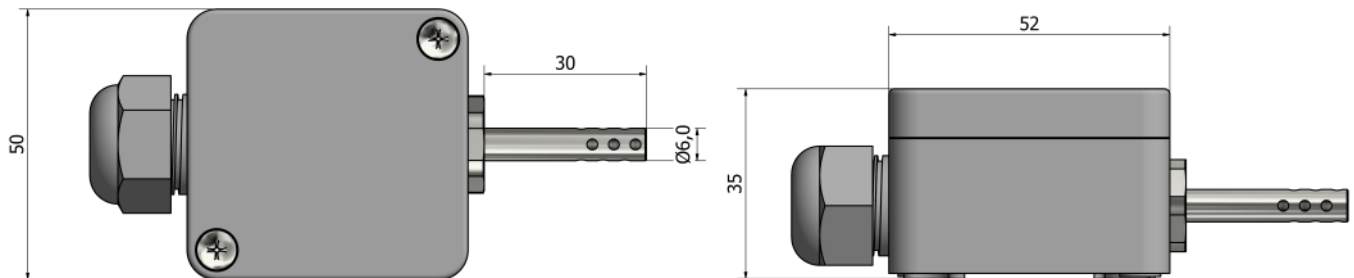


Transmitter



TA01 – Ambient thermocouples

Miniature plastic housing



*Tube material *Stainless steel 316L*

Ordering information

1. Thermocouple:

- Type K Type N Type J Type T Type E
 Type R Type S Type B Other:

2. Number of thermocouples:

- x 1 x 2

3. Class:

- Class 1 Class 2

4. Termination:

- Serial terminals Transmitter (°C):
Specify temperature range

5. Tube type:

- Standard tube
- Perforated tube
- Standard tube with perforated protection

Additional:

Application:

Operating temperature (min/max):

Type of environment:

Accessories:
See the part "Accessories"

Quantity:

Note:

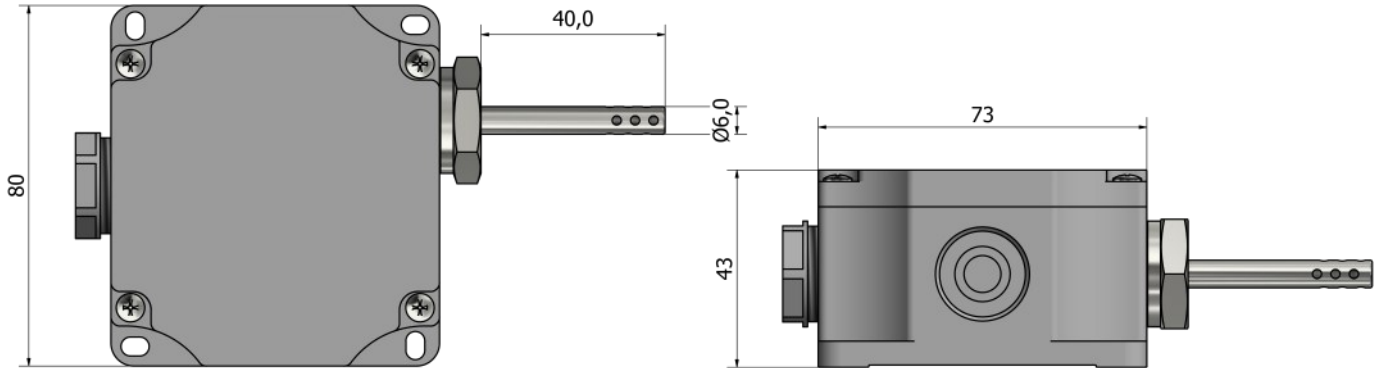
How to order?



Choose the desired characteristics of your sensor by marking the checkboxes and by filling up the text. You can provide sketches, images, personal notes, special requirements or any important data. For additional questions and assistance, feel free to contact us.

TA02 – Ambient thermocouples

Standard plastic housing



*Tube material *Stainless steel 316L*

Ordering information

1. Thermocouple:

- Type K Type N Type J Type T Type E
 Type R Type S Type B Other:

2. Number of thermocouples:

- x 1 x 2

3. Class:

- Class 1 Class 2

4. Termination:

- Serial terminals Transmitter (°C):
Specify temperature range

5. Tube type:

- Standard tube
- Perforated tube
- Standard tube with perforated protection

Additional:

Application:

Operating temperature (min/max):

Type of environment:

Accessories:
See the part "Accessories"

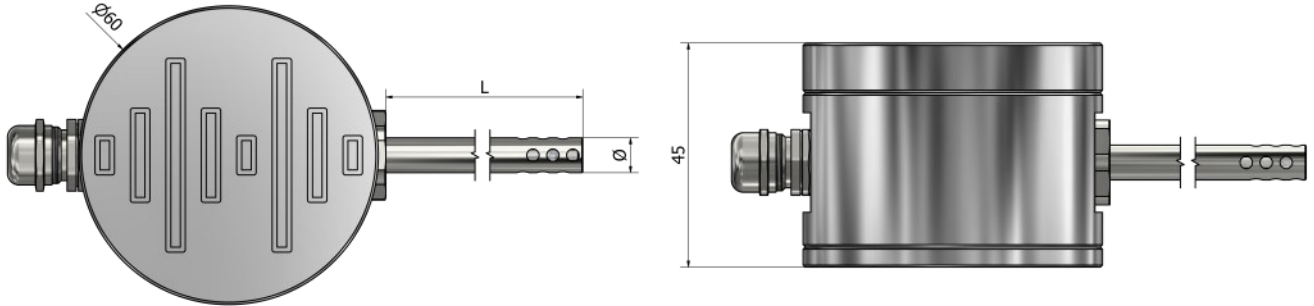
Quantity:

Note:

How to order?

Choose the desired characteristics of your sensor by marking the checkboxes and by filling up the text. You can provide sketches, images, personal notes, special requirements or any important data. For additional questions and assistance, feel free to contact us.

TA11 – Ambient thermocouples Round aluminum housing



*Tube material *Stainless steel 316L*

Ordering information

1. Thermocouple:

- Type K Type N Type J Type T Type E
 Type R Type S Type B Other:

2. Number of thermocouples:

- x 1 x 2

3. Class:

- Class 1 Class 2

4. Termination:

- Serial terminals Transmitter (°C):
Specify temperature range

5. Tube type:

- Standard tube
- Perforated tube
- Standard tube with perforated protection

6. Housing surface:

- Black anodized aluminum Silver anodized aluminum

Additional:

Application:

Operating temperature (min/max):

Type of environment:

Accessories:
See the part "Accessories"

Quantity:

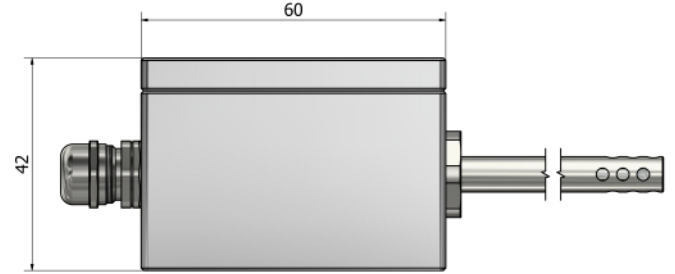
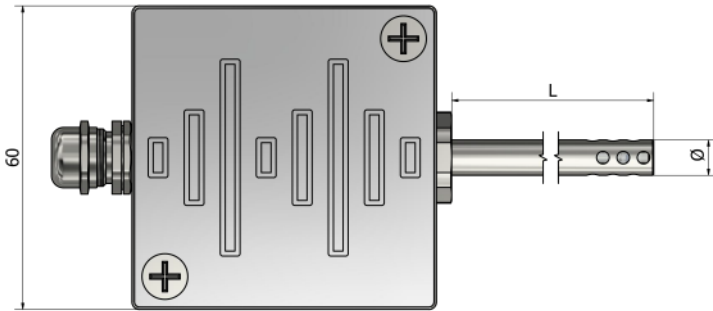
Note:

How to order?

Choose the desired characteristics of your sensor by marking the checkboxes and by filling up the text. You can provide sketches, images, personal notes, special requirements or any important data. For additional questions and assistance, feel free to contact us.

TA12 – Ambient thermocouples

Square aluminum housing



*Tube material *Stainless steel 316L*

Ordering information

1. Thermocouple:

- Type K Type N Type J Type T Type E
 Type R Type S Type B Other:

2. Number of thermocouples:

- x 1 x 2

3. Class:

- Class 1 Class 2

4. Termination:

- Serial terminals Transmitter (°C):
Specify temperature range

5. Tube type:

- Standard tube
- Perforated tube
- Standard tube with perforated protection

6. Housing surface:

- Black anodized aluminum Silver anodized aluminum

Additional:

Application:

Operating temperature (min/max):

Type of environment:

Accessories:
See the part "Accessories"

Quantity:

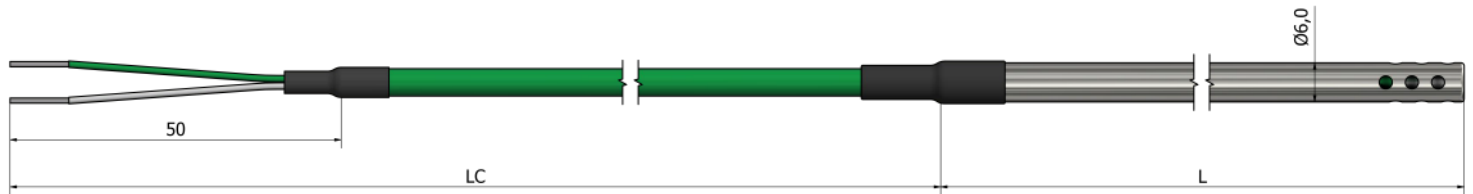
Note:

How to order?

Choose the desired characteristics of your sensor by marking the checkboxes and by filling up the text. You can provide sketches, images, personal notes, special requirements or any important data. For additional questions and assistance, feel free to contact us.

TT25 – Ambient thermocouples

Open air (protection tube)



*Tube material *Stainless steel 316L*

Ordering information

1. Thermocouple:

- Type K Type N Type J Type T Type E
 Type R Type S Type B Other:

2. Class:

- Class 1 Class 2

3. Tube length L (mm):

4. Cable prolongation:

- PVC (105°C) Silicone (180°C) Teflon (260°C)
 Fiberglass (400°C) Other:

5. Cable length LC (mm):

6. Crimp protection:

- Spring Heat shrink sleeve Without

7. Connector:

- Miniature Miniature Standard Standard Without

8. Connector temperature:

- 200°C 350°C 650°C

9. Option:

- Cable clamp Custom ID label Without

Additional:

Application:

Operating temperature (min/max):

Type of environment:

Accessories:

See the part "Accessories"

Quantity:

Note:

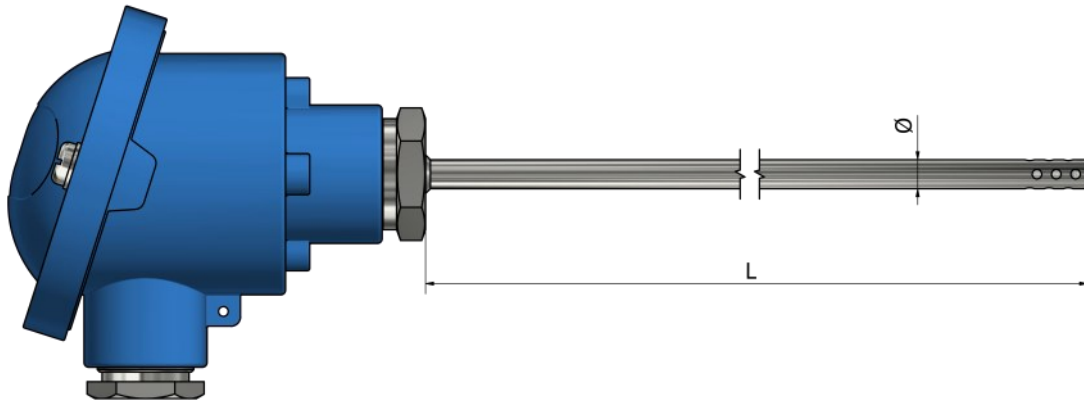
How to order?



Choose the desired characteristics of your sensor by marking the checkboxes and by filling up the text. You can provide sketches, images, personal notes, special requirements or any important data. For additional questions and assistance, feel free to contact us.

TH22 – Ambient thermocouples

Open air (terminal head)



*Tube material *Stainless steel 316L*

Ordering information

1. Thermocouple:

- Type K Type N Type J Type T Type E
 Type R Type S Type B Other:

2. Number of thermocouples:

- x 1 x 2

3. Class:

- Class 1 Class 2

4. Length L (mm):

5. Diameter Ø (mm):

6. Junction type: Ungrounded

7. Connection head: (see the part "Accessories")

- Type B Type DAN Type M Type N
 Type Ex Type NS Other:

8. Mounting:

- Wires Terminal block Transmitter (°C):
Specify temperature range

Additional:

Application:

Operating temperature (min/max):

Type of environment:

Accessories:
See the part "Accessories"

Quantity:

Note:

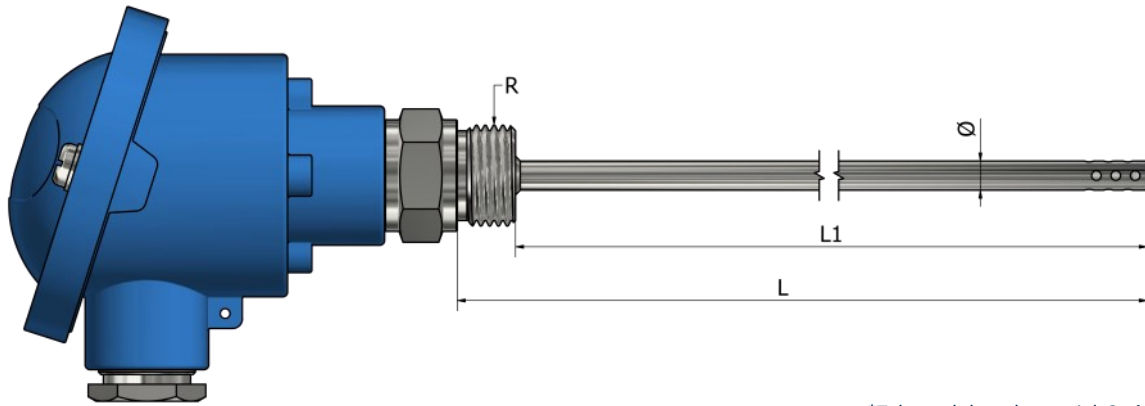
How to order?



Choose the desired characteristics of your sensor by marking the checkboxes and by filling up the text. You can provide sketches, images, personal notes, special requirements or any important data. For additional questions and assistance, feel free to contact us.

TH23 – Ambient thermocouples

Open air with fixed thread



*Tube and thread material **Stainless steel 316L**

Ordering information

1. Thermocouple:

- Type K Type N Type J Type T Type E
 Type R Type S Type B Other:

2. Number of thermocouples:

- x 1 x 2

3. Class:

- Class 1 Class 2

4. Length L or L1 (mm):

L _____ L1 _____

5. Diameter Ø (mm):

6. Junction type: Ungrounded

7. Thread:

- 1/2" BSPP 1/4" BSPP 1/4" BSPT M10
 1/2" NPT Other:

8. Connection head: (see the part "Accessories")

- Type B Type DAN Type M Type N
 Type Ex Type NS Other:

9. Mounting:

- Wires Terminal block Transmitter (°C):
Specify temperature range

Additional:

Application:

Operating temperature (min/max):

Type of environment:

Accessories:
See the part "Accessories"

Quantity:

Note:

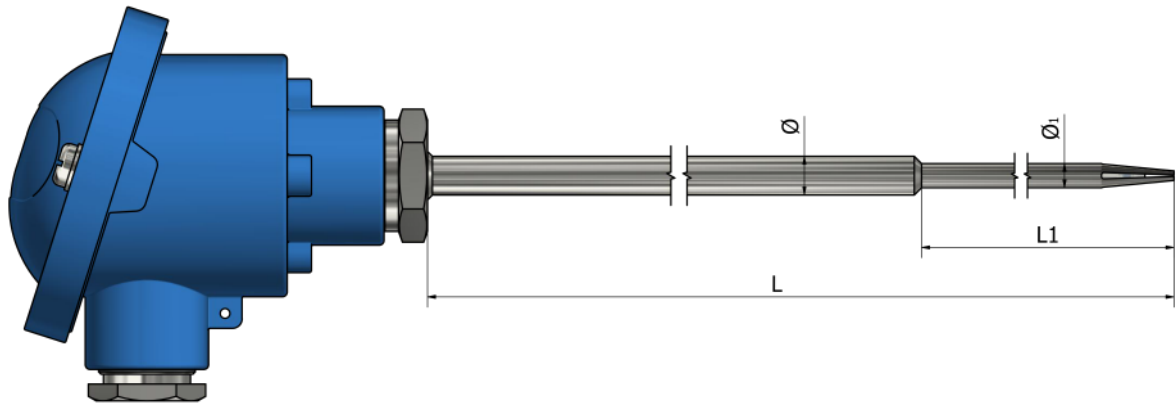
How to order?



Choose the desired characteristics of your sensor by marking the checkboxes and by filling up the text. You can provide sketches, images, personal notes, special requirements or any important data. For additional questions and assistance, feel free to contact us.

TH24 – Ambient thermocouples

Open air with reduced tip



*Tube material *Stainless steel 316L*

Ordering information

1. Thermocouple:

- Type K Type N Type J Type T Type E
 Type R Type S Type B Other:

2. Number of thermocouples:

- x 1 x 2

3. Class:

- Class 1 Class 2

4. Dimensions L and Ø (mm):

L _____ Ø _____

5. Dimensions L1 and Ø1 (mm):

L1 _____ Ø1 _____

6. Junction type: Ungrounded

7. Connection head: (see the part "Accessories")

- Type B Type DAN Type M Type N
 Type Ex Type NS Other:

8. Mounting:

- Wires Terminal block Transmitter (°C):
Specify temperature range

Additional:

Application:

Operating temperature (min/max):

Type of environment:

Accessories:
See the part "Accessories"

Quantity:

Note:

How to order?

Choose the desired characteristics of your sensor by marking the checkboxes and by filling up the text. You can provide sketches, images, personal notes, special requirements or any important data. For additional questions and assistance, feel free to contact us.